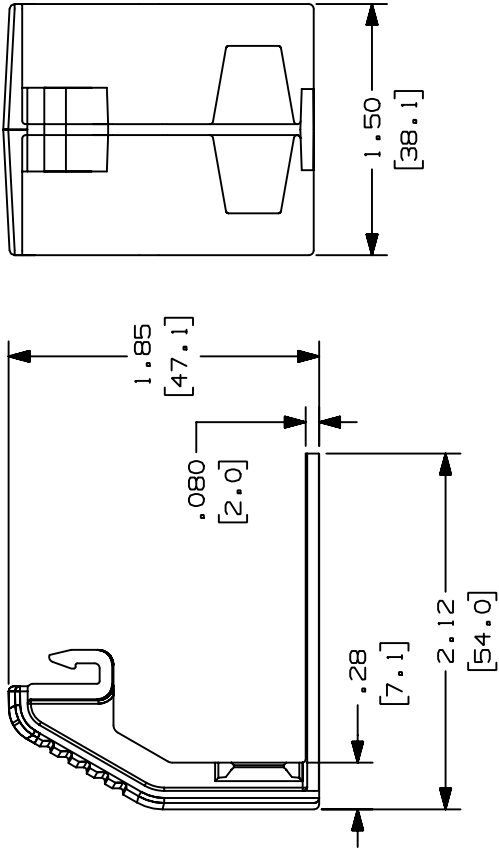


THIS COPY IS PROVIDED ON A RESTRICTED BASIS AND IS NOT TO BE USED IN ANY WAY DETRIMENTAL TO THE INTERESTS OF PANDUIT CORP.

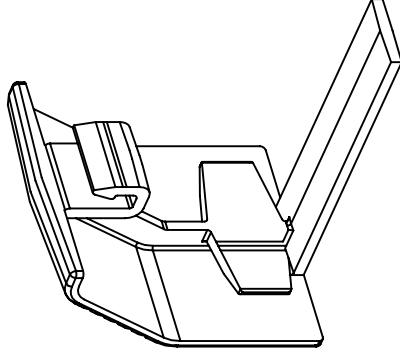
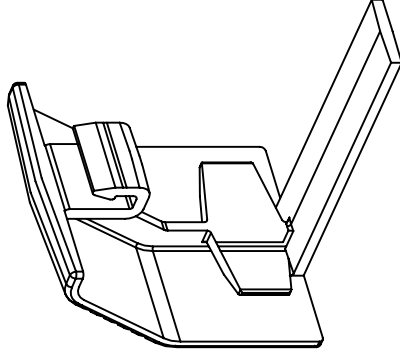


PANDUIT P/N	WEIGHT
T70BC	1.95 LBS/10 PCS. (889g/10 PCS.)



NOTES:

- SEE CURRENT CATALOG FOR ADDITIONAL PART SUFFIXES TO INDICATE COLOR AND OR PACKAGE QUANTITY.
- THIS PRODUCT IS INTENDED TO BE USED WITH PANDUIT TYPE T-70 RACEWAY.
- DIMENSIONS IN PARENTHESIS ARE IN METRIC.
- T70BC CONSISTS OF (2) T70CB FITTINGS.



CAD FILENAME/LAYERS D35541BU_T70CB_C_02.PRT

PANDUIT CORP. TINLEY PARK, ILLINOIS

T-70 BASE COUPLER (T70BC)
CUSTOMER DRAWING

UNLESS OTHERWISE SPECIFIED, DIMENSIONAL TOLERANCES ARE:
(.X) ±
(.XX) ±
(.XXX) ±
ANGLES ±

UNLESS OTHERWISE SPECIFIED, ALL DIMENSIONS ARE GIVEN IN INCHES, THIRD ANGLE PROJECTION.

DRAWN BY JBA MAT'L: PVC

SCALE NONE

DATE 09-10-96

CHECKED BY CEF

DWG NO. 35541-22

SIZE A

REV	DATE	BY	CHK	DESCRIPTION	ECN	CHK	CUST	SUP
-	01-28-00	M50	H1W	D. RENUMBERED DRAWING NOTES C. 1.95 LB (889g) WAS 1.78 LB (809.1g)	35541-22	H1W	H1W	
2	09-30-96	JBA	CEF	B. PVC WAS ABS/POLYCARBONATE A. REVISED DRAWING TITLE, T-70 WAS T70 DRAWING REVISED AND REDRAWN	35541-22	CEF	CEF	
R	09-10-96	JBA	CEF	RELEASED TO PRODUCTION	35541-22	CEF		